



For more Hi-Fi manuals and set-up information
please visit www.hifiengine.com

Technical Manual

K2 S5800



ACOUSTIC & ELECTRICAL SPECIFICATIONS:

- Nominal Impedance 8Ω
- Max Amp Power 300 watts*
- Frequency Response 50Hz – 40kHz (–6dB)
- Sensitivity 95dB (2.83 volts @ 1 meter)
- Crossover Frequencies 800Hz, 10kHz

SYSTEM COMPONENTS:

- Cabinet K2S5800 (not for sale)
- Grille Upper 339363-001 Lower 339363-002
- Ultrahigh Frequency Transducer 1" (25mm) 045TI 339009-001
DC Resistance 3.1 ohms ±10%
- High-Frequency Transducer 3" (76mm) 435AL 338831-001
DC Resistance 4.1 ohms ±10%
- Low-Frequency Transducer (2) 12" (305mm) 1200FE 339200-001
DC Resistance 8.0 ohms ±10%
- Crossover Network (HF) 339362-001 (LF) 339362-002

AURAL SWEEP TEST SPECIFICATIONS:

- System Aural Sweep Test 6.0V input 50Hz to 40kHz
- L.F. Aural Sweep Test 5.0V input 50Hz to 1kHz
- H.F. Aural Sweep Test 4.0V input 500Hz to 10kHz
- U.H.F. Aural Sweep Test 2.83V input 10kHz to 40kHz

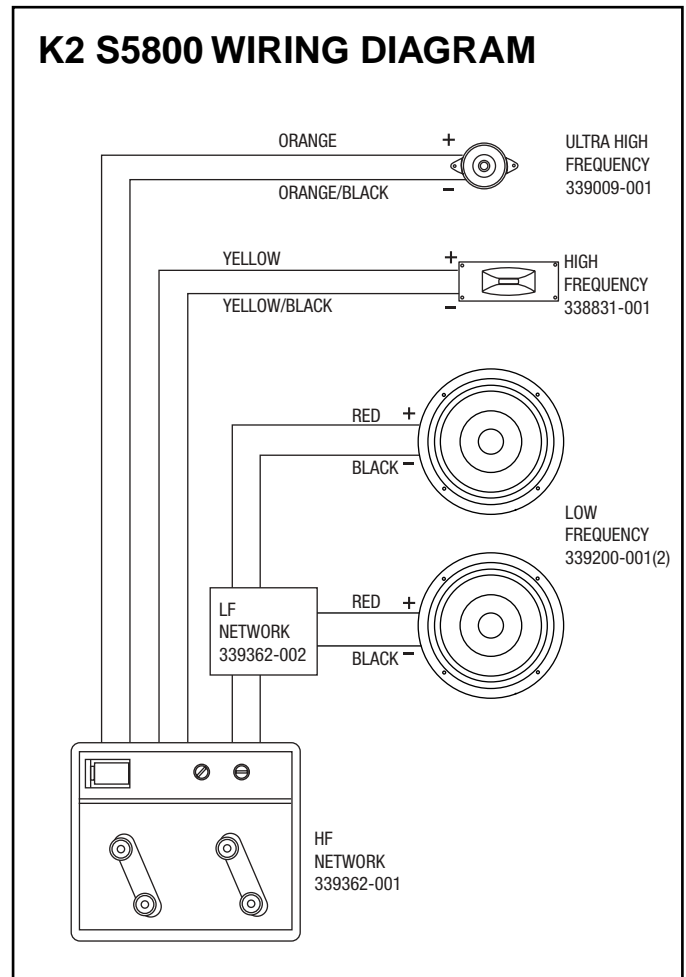
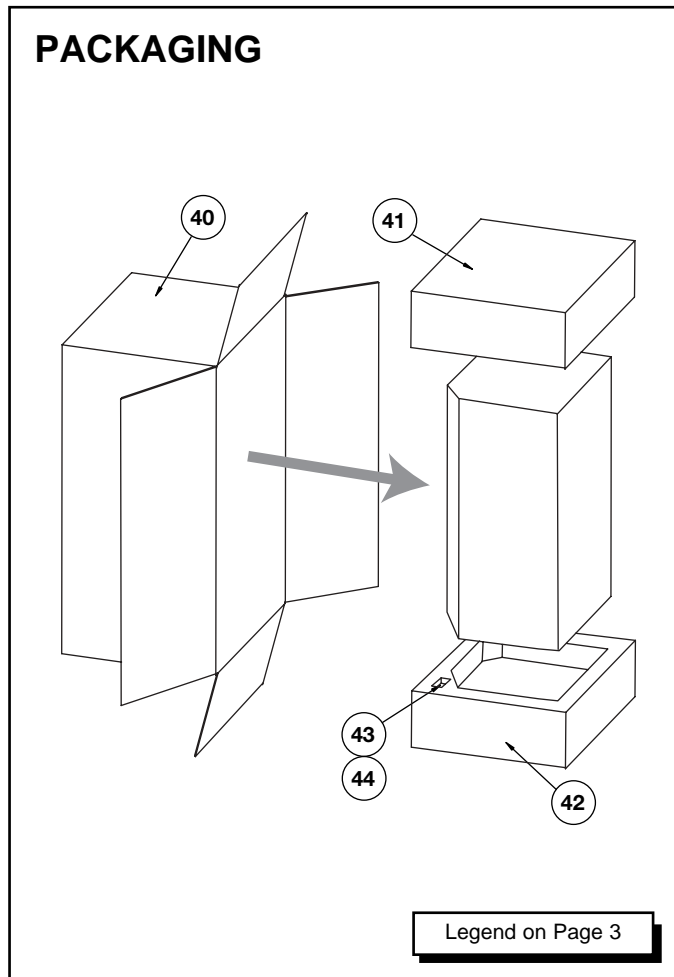
PHYSICAL SPECIFICATIONS:

- Enclosure Dimensions 49" x 17" x 15-1/4" (H x W x D)
Plus spiked feet (1244mm x 432mm x 387mm)
- Weight 185 lb/84 kg (each)

WARRANTY:

- Refer to Warranty Statement packed with each product

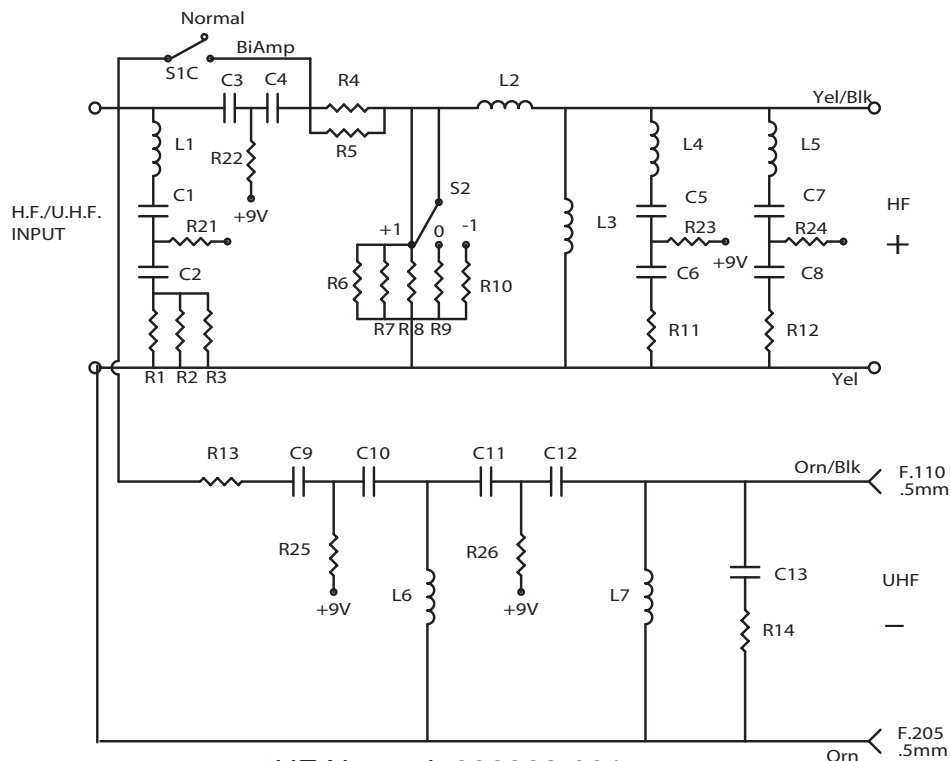
* The maximum recommended amplifier power rating will ensure proper system headroom to allow for occasional peaks. We do not recommend sustained operation at these maximum power levels.



Technical Manual

K2 S5800

SCHEMATIC



HF Network 339362-001

COMPONENT LEGEND

HF AND UHF 339362-001

- L1: 1.5 mH
- L2: 0.12mH
- L3: 1.0mH
- L4: 0.6mH
- L5: 2.0mH
- L6: 0.05mH
- L7: 0.1mH

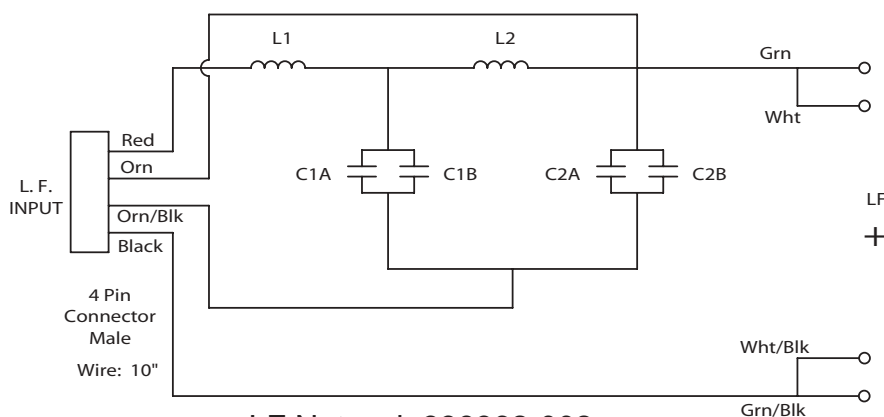
- C1, C2: 47 μ F, 100V
- C3, C4: 30 μ F, 100V
- C5, C6: 36 μ F, 100V
- C7, C8: 3 μ F, 100V
- C9, C10: 2.4 μ F, 100V
- C11, C12: 5 μ F, 100V
- C13: 0.56 μ F, 100V

- R1, R2, R3: 47 Ω , 5W
- R4, R5: 16 Ω , 5W
- R6, R7, R8: 12 Ω , 5W
- R9: 12 Ω , 5W
- R10: 6.8 Ω , 5W
- R11: 2.4 Ω , 5W
- R12: 6.8 Ω , 5W
- R13: 1.0 Ω , 5W
- R14: 0.56 Ω , 5W
- R21, R22, R23, R24, R25, R26: 2.2M Ω , 1/4W

LF 339362-002

- L1: 3.5mH
- L2: 1.0mH

- C1A: 39 μ F, 100V
- C1B: 10 μ F, 100V
- C2A: 20 μ F, 100V
- C2B: 10 μ F, 100V



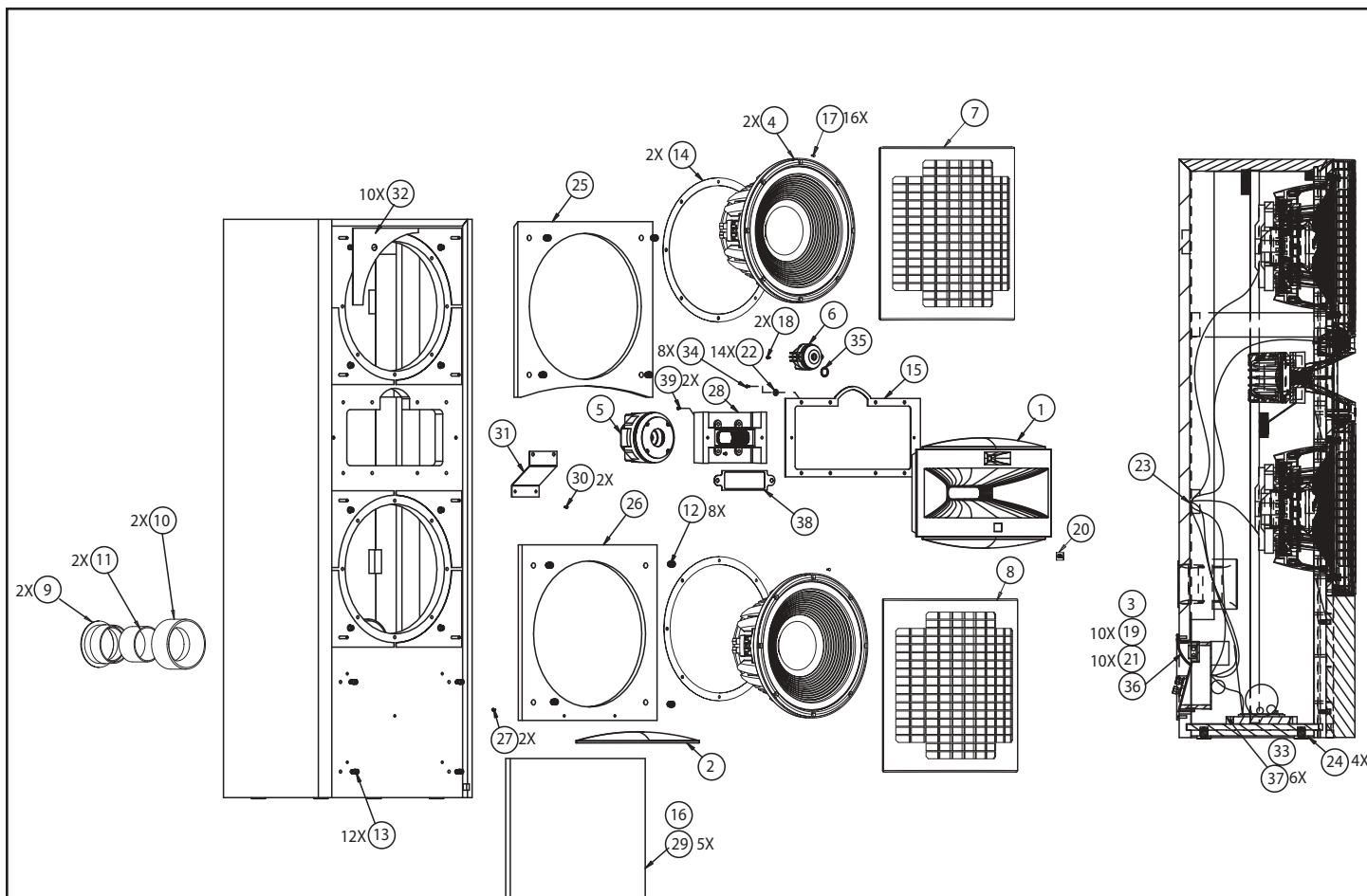
LF Network 339362-002

K2 S5800

Technical Manual

K2 S5800

EXPLODED VIEW



ITEM	PART NO.	QTY.	DESCRIPTION	ITEM	PART NO.	QTY.	DESCRIPTION
1	339360-002	1	HORN, FINISHED, UHF/HF	23	900401-010	1	SCR, MS, PPH, 10-32X.625, BLK HF TO HORN
2	339361-002	1	BULLNOSE, FINISHED	24	340805-001	4	NUT, INSERT, BRASS
3	339362-001	1	ASY, XOVER, HF, INPUT CUP	25	339358-002	1	BAF, UPPER, FINISHED
4	339200-001	2	ASY, DRVR-1200FE-12	26	339359-002	1	BAF, LOWER, FINISHED
5	338831-001	1	ASY, MIDRNG-435AL	27	901001-016	2	SCR, MS, FHXS, 8-32X1, BLK
6	339009-001	1	ASY, TWTR, UHF-045TI	28	339092-002	1	HORN, HF, REAR, PNTD
7	339363-001	1	ASY, GRILLE, UPPER	29	75659	5	SCREW 8X1 3/4, WFHDP KICK PNL
8	339363-002	1	ASY, GRILLE, LOWER	30	61868	2	SCR, #8X.75, PPHD, BLK HORN BRACE TO WOOD BRACE
9	335202-003	2	PTB, METAL, FNSH, SATIN BLK	31	339843-001	1	BRACE, HORN
10	335203-001	2	TB, PLSTC, FOAM	32	339844-001	10	DAMPING, GASKET
11	335339-004	2	PTB, PLSTC, 2.0"	33	339362-002	1	ASY, XOVER, LF
12	333249-001	8	CUP, GRILLE	34	903001-024	8	SCR, MS, HXS, 10-32X1.5, BLK
13	59266	12	DOWEL PIN	35	339976-001	1	GASKET, UHF-K25800
14	335481-001	2	GASKET, DRV, 12"-PMTS	36	75033-01	1	COV, BATTERY, SSCRN
15	339430-001	1	GASKET, HORN	37	764-41010-20	6	SCR, #10X1 1/4, PN HD, PH, UNCTHD, BLKZLN/LUB
16	339374-002	1	PNL, KICK, FINISHED	38	339702-001	1	GASKET, HORN, THREAT HF
17	63286	16	SCREW 10-32X1 1/2 FIL WFR TO ENCL	39	900401-020	2	SCR, MS, PPH, 10-32X1.25, BLK HORN-FRNT TO REAR
18	909904-004	2	SCR, MS, BSH, 6-32X.25, SST UHF TO HORN	40	351340-001	1	OUTER CARTON
19	61867	10	SCR, #6X3/4, OVHDPH HF NTWK TO ENCL	41	339276-001	1	TOP PAD
20	350305-001	1	LOGO, HORN	42	339277-001	1	BOTTOM PAD
21	332259-001	10	INSERT NYLON	43	340805-002	4	FOOT, SPIKE, BRASS
22	337183-001	14	WSHR, FLAT, .25X.5" ZINC	44	340805-003	4	NUT, INSERT, BRASS

K2 S5800